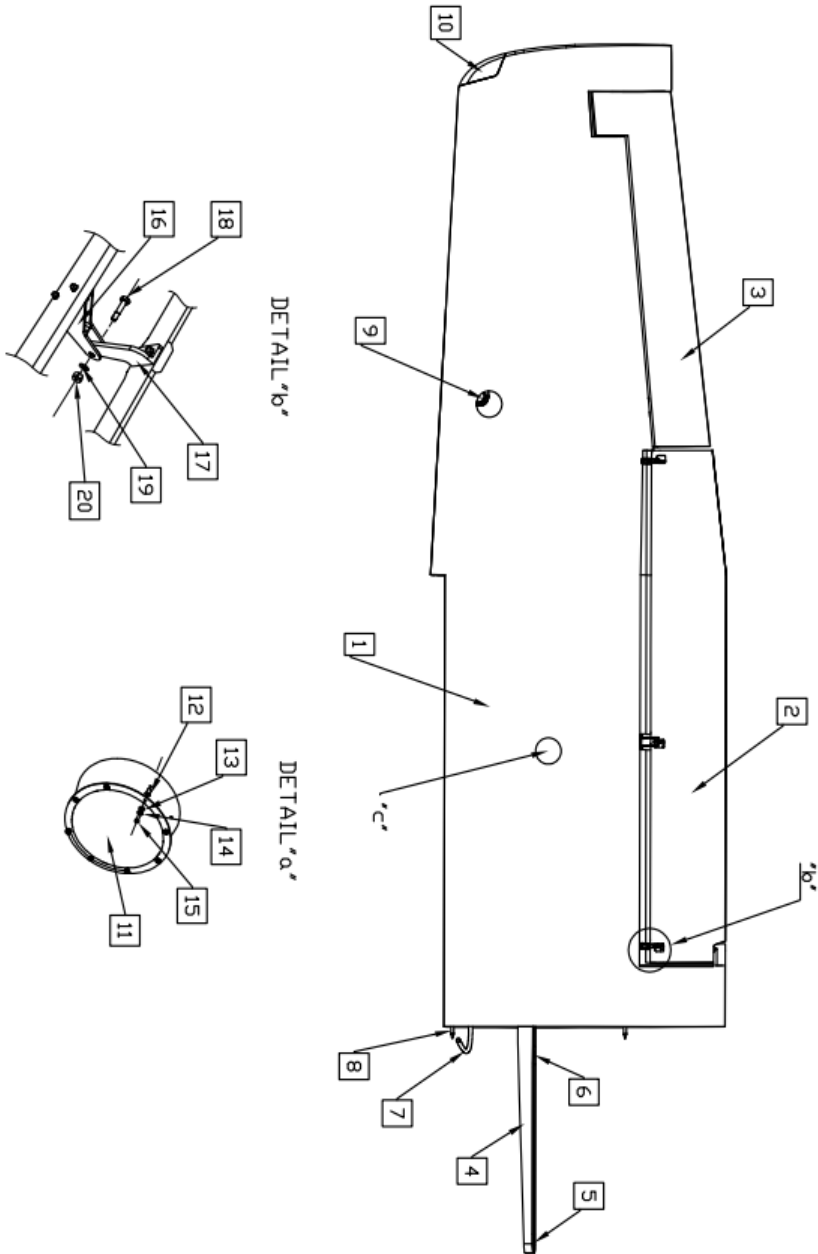


## ASSEMBLY-DD4401-LEFT WING

FIGURE N°	PART NUMBER	NOMENCLATURE / DESCRIPTION	QUANTITY PER SET	MEASURE UNIT
1	GCL	Left wing stabilizer	1	PC
2	LCL	Left flap	1	PC
3	ACL	Left aileron	1	PC
4	GBL	Left wing main spar	1	PC
5	WG01	Main wing spar 1# copper bush	1	PC
6	WG02	Main wing spar 2# copper bush	1	PC
7	DIN-GL-01	Left wing wiring harness tube	1	PC
8	WF01	Wing rib lugs	2	PC
9	VK35	Flap motor	1	PC
10	GCL02	Cover of left wing navigation light	1	PC
11	FD08	Main maintenance hole cover	2	PC
12	DIN-GL-02	Rivet nut	16	PC
13	DIN-GL-03	Rubber washer	16	PC
14	DIN-GL-04	Stainless steel washer	16	PC
15	DIN-GL-05	Button head screw	16	PC
16	LE10	Flap 1# front half hinge	1	PC
17	LE19	Left flap 1# rear half hinge	1	PC
18	DIN-GL-06	Bolt M6	3	PC
19	DIN-GL-07	Gasket	3	PC
20	DIN-GL-08	Lock nut M6	3	PC

### ASSEMBLY-DD4401-LEFT WING



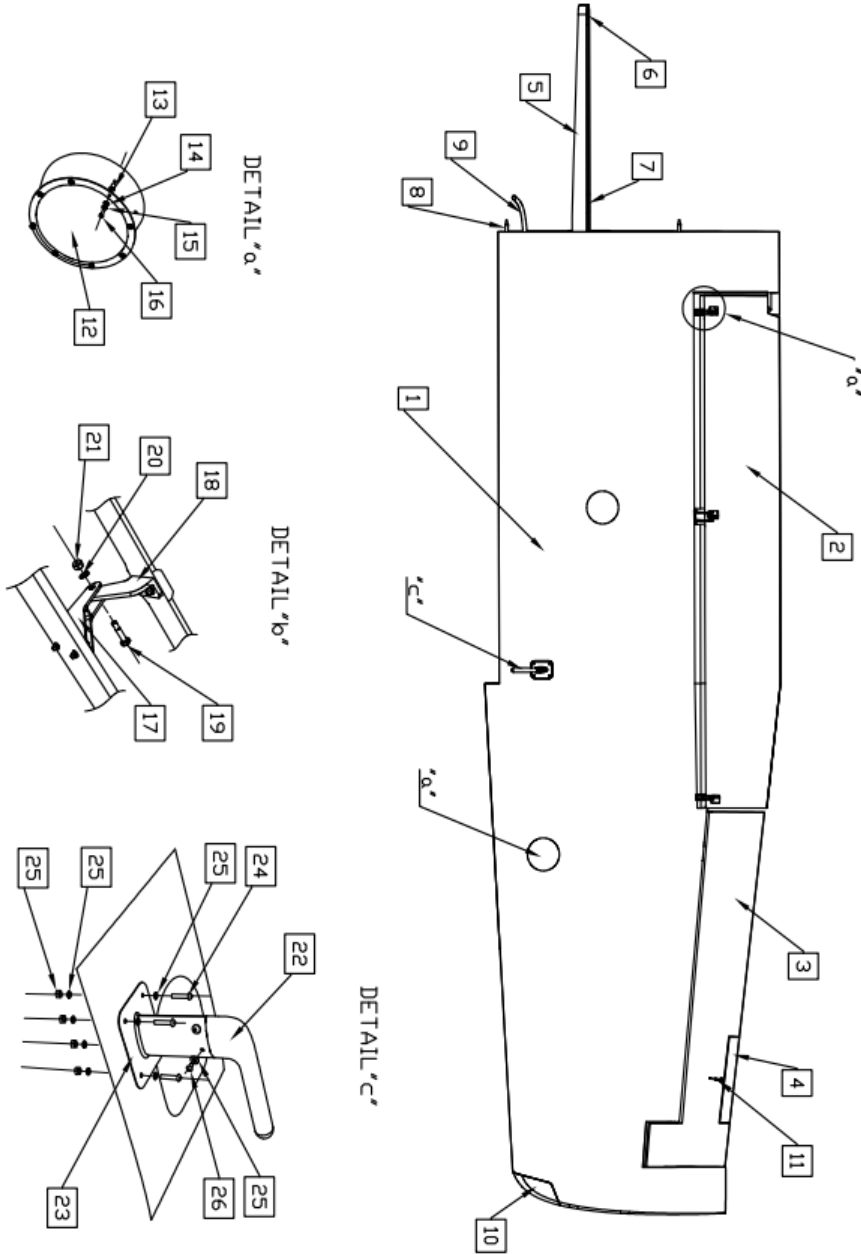
ALPHA NUMERIC PARTS LIST

PART NUMBER	ASSEMBLY	PAGE N°	FIGURE N°
GCL .....	ASSEMBLY-DD4401	1	1
LCL .....	ASSEMBLY-DD4401	1	2
ACL .....	ASSEMBLY-DD4401	1	3
GBL .....	ASSEMBLY-DD4401	1	4
WG01 .....	ASSEMBLY-DD4401	1	5
WG02 .....	ASSEMBLY-DD4401	1	6
DIN-GL-01 .....	ASSEMBLY-DD4401	1	7
WF01 .....	ASSEMBLY-DD4401	1	8
VK35 .....	ASSEMBLY-DD4401	1	9
GCL02 .....	ASSEMBLY-DD4401	1	10
FD08 .....	ASSEMBLY-DD4401	1	11
DIN-GL-02 .....	ASSEMBLY-DD4401	1	12
DIN-GL-03 .....	ASSEMBLY-DD4401	1	13
DIN-GL-04 .....	ASSEMBLY-DD4401	1	14
DIN-GL-05 .....	ASSEMBLY-DD4401	1	15
LE10 .....	ASSEMBLY-DD4401	1	16
LE19 .....	ASSEMBLY-DD4401	1	17
DIN-GL-06 .....	ASSEMBLY-DD4401	1	18
DIN-GL-07 .....	ASSEMBLY-DD4401	1	19
DIN-GL-08 .....	ASSEMBLY-DD4401	1	20

## ASSEMBLY-DD4402-RIGHT WING

FIGURE N°	PART NUMBER	NOMENCLATURE / DESCRIPTION	QUANTITY PER SET	MEASURE UNIT
1	GCR	Right wing stabilizer	1	PC
2	LCR	Right flap	1	PC
3	ACR	Right aileron	1	PC
4	AC	Right aileron trimming plate	1	PC
5	GBR	Right wing main spar	1	PC
6	WG01	Main wing spar 1# copper bush	1	PC
7	WG02	Main wing spar 2# copper bush	1	PC
8	WF01	Wing rib lugs	2	PC
9	DIN-GR-01	Right wing wiring harness tube	1	PC
10	GCR02	Cover of right wing navigation light	1	PC
11	VK15	Right aileron trimming steering gear	1	PC
12	FD08	Main maintenance hole cover	2	PC
13	DIN-GR-02	Rivet nut	16	PC
14	DIN-GR-03	Rubber washer	16	PC
15	DIN-GR-04	Stainless steel washer	16	PC
16	DIN-GR-05	Button head screw	16	PC
17	LE10	Flap 1#front half hinge	1	PC
18	LE15	Right flap 1#rear half hinge	1	PC
19	DIN-GR-06	Bolt M6	6	PC
20	DIN-GR-07	Gasket	6	PC
21	DIN-GR-08	Lock nut M6	6	PC
22	VK12	Pitot tube	1	PC
23	WF10	Pitot base	1	PC
24	DIN-G-05	Button head screw M4	4	PC
25	DIN-G-06	Gasket	12	PC
26	DIN-G-07	Self-locking nut M4	4	PC
27	DIN-G-08	Button head screw M4	4	PC

### ASSEMBLY-DD4402-RIGHT WING



### ALPHA NUMERIC PARTS LIST

PART NUMBER	ASSEMBLY	PAGE N°	FIGURE N°
GCR	ASSEMBLY-DD4402	1	1
LCR	ASSEMBLY-DD4402	1	2
ACR	ASSEMBLY-DD4402	1	3
AC	ASSEMBLY-DD4402	1	4
GBR	ASSEMBLY-DD4402	1	5
WG01	ASSEMBLY-DD4402	1	6
WG02	ASSEMBLY-DD4402	1	7
WF01	ASSEMBLY-DD4402	1	8
DIN-GR-01	ASSEMBLY-DD4402	1	9
GCR02	ASSEMBLY-DD4402	1	10
VK15	ASSEMBLY-DD4402	1	11
FD08	ASSEMBLY-DD4402	1	12
DIN-GR-02	ASSEMBLY-DD4402	1	13
DIN-GR-03	ASSEMBLY-DD4402	1	14
DIN-GR-04	ASSEMBLY-DD4402	1	15
DIN-GR-05	ASSEMBLY-DD4402	1	16
LE10	ASSEMBLY-DD4402	1	17
LE15	ASSEMBLY-DD4402	1	18
DIN-GR-06	ASSEMBLY-DD4402	1	19
DIN-GR-07	ASSEMBLY-DD4402	1	20
DIN-GR-08	ASSEMBLY-DD4402	1	21
VK12	ASSEMBLY-DD4402	1	22
WF10	ASSEMBLY-DD4402	1	23
DIN-G-05	ASSEMBLY-DD4402	1	24
DIN-G-06	ASSEMBLY-DD4402	1	25
DIN-G-07	ASSEMBLY-DD4402	1	26
DIN-G-08	ASSEMBLY-DD4402	1	27